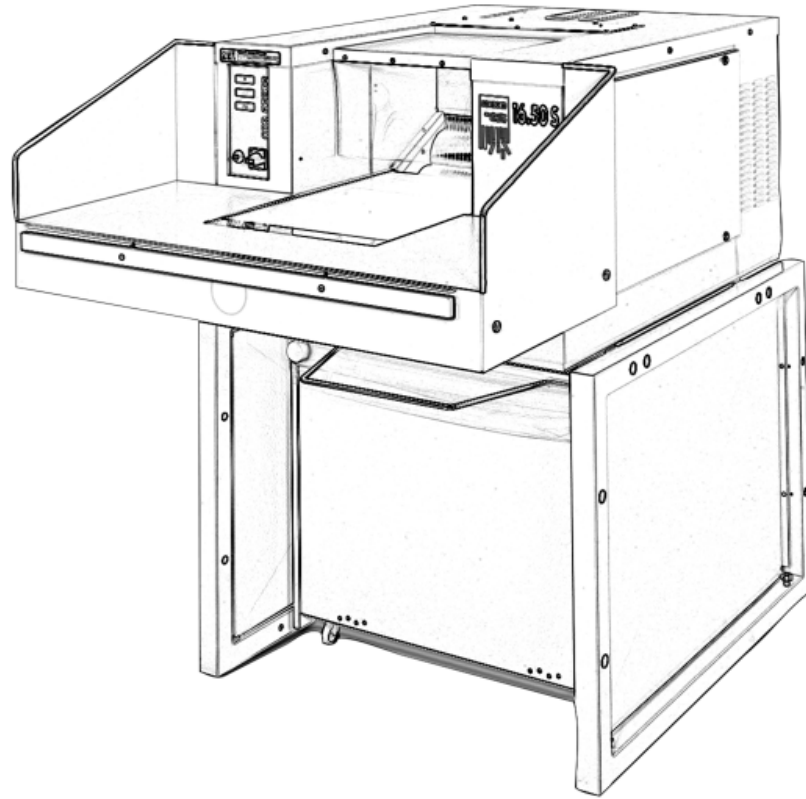


MODEL 16.50S



Specifications

	11.8	7.8	11.8CC	7.8CC
Capacity (sheets)	450-550	350-420	450-550	350-420
Shred Size	1/2"	1/4"	1/2" x 2"	1/4" x 2"
Practical Capacity (lb/hr.)	2250	1800	1800	1500
Speed (fpm)	50	50	50	50
Input Width	20"	20"	20"	20"
Power (kw/hp)	7.5/10	7.5/10	7.5/10	7.5/10
Voltage	208/220v,3ph	208/220v,3ph	208/220v,3ph	208/220v,3ph
Dimensions	47 ¹ / ₄ x 76 ³ / ₄ x 61	47 ¹ / ₄ x 76 ³ / ₄ x 61	47 ¹ / ₄ x 76 ³ / ₄ x 61	47 ¹ / ₄ x 76 ³ / ₄ x 61
Weight (lbs.)	1600	1600	1600	1600

*Based on a range of office papers (variable depending on paper quality, size, weight or grain & sufficient power supply). All measurements are nominal conversions of metric measurements. Subject to engineering changes and color variances.

**Specifications & pricing subject to change without notice